

# PD Plus®

## Model 3200 Heavy Duty

Bi-directional Rotation

Series Options:

Horizontal Air Service

Vertical Air Service

Horizontal Flow, Single Envelope Gas Service

Vertical Flow, Single Envelope Gas Service

Horizontal Flow, Double Envelope Gas Service

Vertical Flow, Double Envelope Gas Service

Model 3200 PD PLUS heavy duty industrial blowers are designed for high performance applications, up to 15 PSI pressure or 17" Hg dry vacuum (24" Hg water injected). All models have sight glasses as a standard feature.

### Standard Model

This model's applications include pneumatic conveying, wastewater treatment, and the general process industry where high pressure, high volume air is required. Seal areas are vented to atmosphere to relieve process pressure against the internal lip seals, and to provide oil-free air.

### Single Envelope Gas Service

This series is utilized in such applications as closed loop pneumatic conveying, process gas handling, or elevated pressure applications up to 100 PSIG discharge. Vent openings are tapped and plugged to prevent gas leakage. These fittings can also accept an inert gas purge for positive containment of the process gas.

### Double Envelope Gas Service

Built to laboratory standards where virtually complete sealing is required. In addition to the features shown on the Single Envelope Gas Service series, the drive shaft is mechanically sealed and the oil sumps are plugged to provide an even higher degree of leakage protection.

### Optional Cooling Coils

All vertical flow 3200 PD PLUS models are available with cooling coils to provide cooling of lubricating oil with less than 0.5 GPM cooling water for high performance applications.

### Special Materials

Ductile Iron\*

Stainless Steel\*\*

Carbon Steel \*\*\*

### Special Coatings

Bi-Protec® (Nickel/Armoloy®)

\*3202, 3204, 3206, 3210 only \*\*3206& 3210 only \*\*\*3210 only



Model Size	Max. Press. PSI	Max. Vac. (in. Hg)	Nom. Min. RPM at Max. Disch. Pressure	Nom. Max. RPM at Max. Disch. Pressure	Displ. CFR
3202	15	15	3100	3600	.026
3204	15	15	2900	3600	.042
3206	15	15	2750	3600	.063
3210	15	15	2650	3600	.105

### Material Specifications:

**Housing:** Cast iron

**End Plates:** Cast iron

**End Covers:** Gear end - Cast iron  
Free end - Cast iron

**Rotors:** Ductile iron

**Shafts:** Ductile iron cast integrally with rotor

**Bearings:** Gear end - Double row ball  
Free end - Single row ball  
Drive shaft - Double row ball

**Drive Shaft:** Ductile iron

**Gears:** Alloy steel, helical cut

**Seals:** Standard - Lip and labyrinth type on rotor shafts; lip seal on the drive shaft; less than 25 PSIG.  
Single Envelope Gas Service - Mechanical and labyrinth type on rotor shafts; lip seal on the drive shaft; less than 25 PSIG  
Double Envelope Gas Service - Same as Vertical & Horizontal flow single envelop gas service series plus mechanical sealing on the drive shaft; greater than 25 PSIG\*

**Lubrication:** Oil splash system, both ends

\* Blowers operating with a discharge pressure above 25 PSIG require hydrostatic testing and special high pressure seal leakage testing.

## Performance Tables

In conjunction with our program of continuous testing and design upgrading, all specifications are subject to change without notice. All data are approximate. Request a quotation for your specific application.

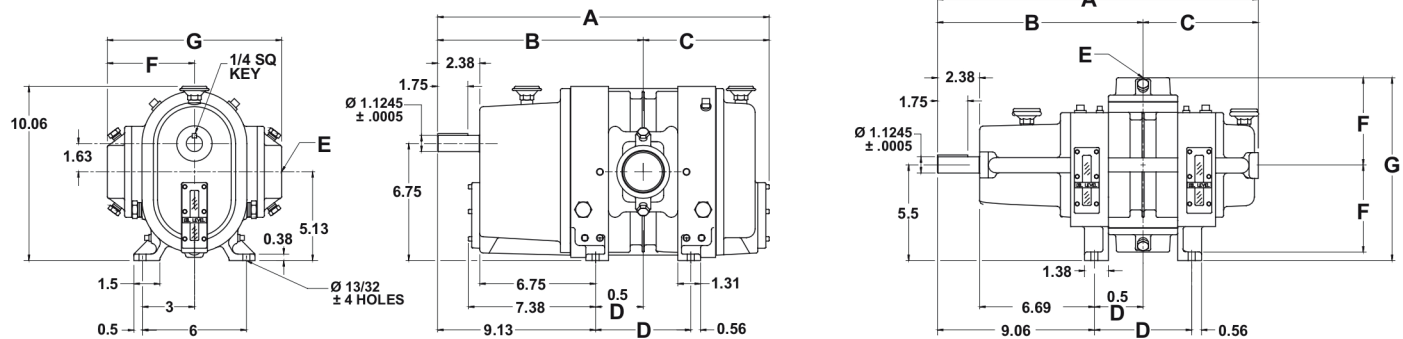
### Pressure (14.70 PSIA and 70° F Inlet)

BLOWER MODEL	SPEED (RPM)	2 PSIG		5 PSIG		8 PSIG		10 PSIG		12 PSIG		14 PSIG		15 PSIG		Max. Vacuum		
		CFM	BHP	CFM	BHP	CFM	BHP	CFM	BHP	CFM	BHP	CFM	BHP	CFM	BHP	" Hg	CFM	BHP
3202	1150	17	0.9	8	1.3											8	7	1.2
	1750	34	1.4	25	2.0	18	2.7									11	17	2.1
	2950	67	2.4	58	3.4	52	4.5	48	5.2	45	6.0					14	43	4.1
	3600	85	2.9	76	4.2	70	5.5	66	6.4	63	7.3	60	8.2	59	8.6	15	59	5.2
3204	1150	29	1.1	16	1.8											8	14	1.5
	1750	56	1.7	43	2.7	33	3.7									11	31	2.8
	2950	110	2.8	97	4.5	87	6.3	82	7.4	77	8.6	72	9.7			14	75	5.6
	3600	139	3.4	126	5.5	116	7.7	111	9.1	106	11	101	12	99	13	15	100	7.2
3206	1150	45	1.3	26	2.3											9	20	2.1
	1750	86	2.0	67	3.5	53	5.1	46	6.1							12	46	4.0
	2950	167	3.4	148	6.0	134	8.6	127	10	120	12	113	14			15	111	8.0
	3600	211	4.1	192	7.3	178	11	170	13	163	15	157	17	154	18	15	155	9.8
3210	1150	80	1.8	51	3.4											9	42	3.1
	1750	147	2.7	118	5.2	98	7.8	86	9.5							12	87	6.0
	2950	281	4.5	253	8.8	232	13	221	16	210	19	200	22	196	23	15	197	12
	3600	354	5.5	326	11	305	16	293	20	283	23	273	27	269	28	15	270	15

## Dimensions

Horizontal Flow, Single Envelope Gas Service

Vertical Flow, Single Envelope Gas Service



MODEL	SERIES	A	B	C	D	E	F	G	Net Wgt. (lbs.)*
3202	17/57 46/81	17.63 17	11.13	6.5 5.88	4 4.13	1.5" NPT	4	8 9.5	120
3204	17/57 46/81	19.13 18.5	11.88	7.25 6.63	5.5 5.63	2" NPT	5	10 10.5	140
3206	17/57 46/81	21.13 20.5	12.88	8.25 7.63	7.5 7.63	2.5" NPT	5	10 10.5	155
3210	17/57 46/81	25.13 24.5	14.88	10.25 9.63	11.5 11.63	3" NPT	6.5	11 11	220

Values are approximate and should not be used for construction. Certain dimensions for double envelope gas-service differ slightly from those shown above. Certified prints are available through your local M-D Pneumatics Sales Professional.

\*Approximate shipping weight.

